

Concealed wall-mounted single-lever mixer -

35 860 970 90



- 2x female thread 1/2" connections
- 1x female thread 1/2" outlet for wall spout
- 1x female thread 1/2" outlet
- 2x dust cover
- anti-water packing
- soundproofing
- gauge 100 mm
- WRAS 2107018, 2010064

Recommended miscellaneous



Extension 20 mm -

- Not suitable for combining with META PURE (36 86X 664-FF).

12 869 970 90

Recommended miscellaneous



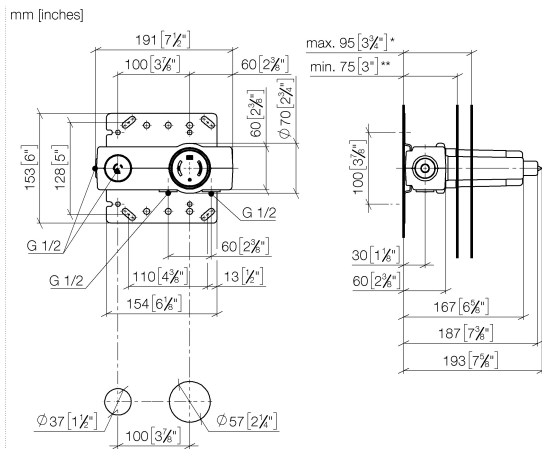
Extension 20 mm -

- Can only be combined with exposed trim parts 36 86X 664-FF.

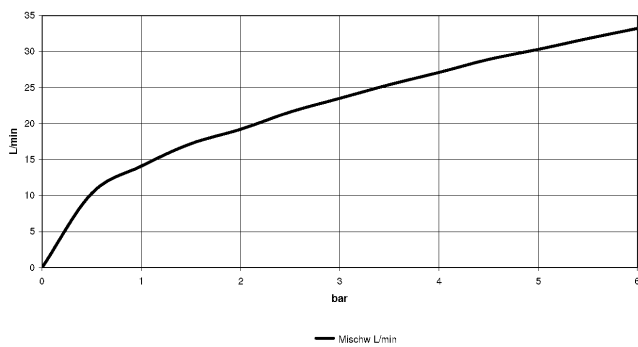
12 870 970 90

Concealed wall-mounted single-lever mixer -

35 860 970 90



Flow rate chart



Certificates

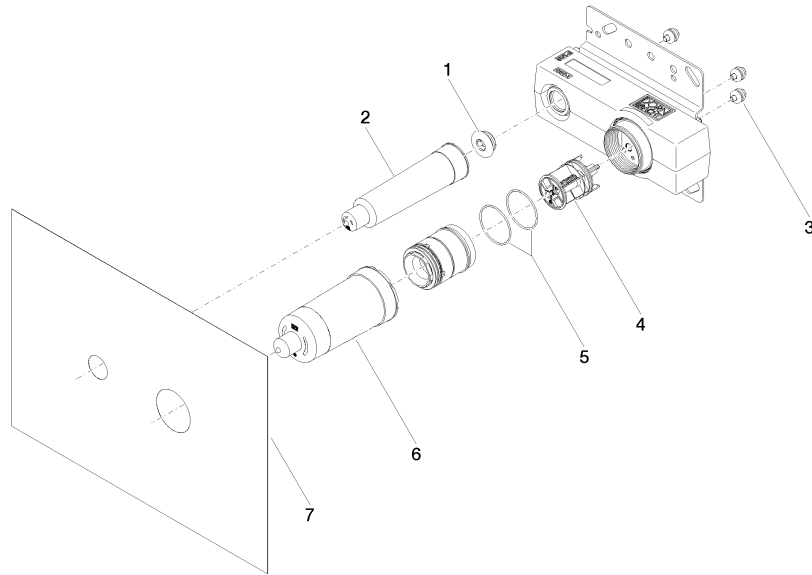
WRAS_2010064.

ACS_21 ACC LY 141. DVGW_DW-6512DN0435.

WRAS_2107018.

Concealed wall-mounted single-lever mixer -

35 860 970 90



Spare parts list

No.	Item Number	Name	Quantity used	Delivery time
1	04 31 20 006 00 90	plug	1	2
2	09 21 02 173 90	cap	1	2
3	90 23 01 091 00 90	set	3	2
4	90 31 20 107 00 90	plug	1	2
5	09 14 10 190 90	seal	2	2
6	09 21 02 176 90	cap	1	60
7	04 14 03 074 01 90	gasket kit	1	2