





29 217 671

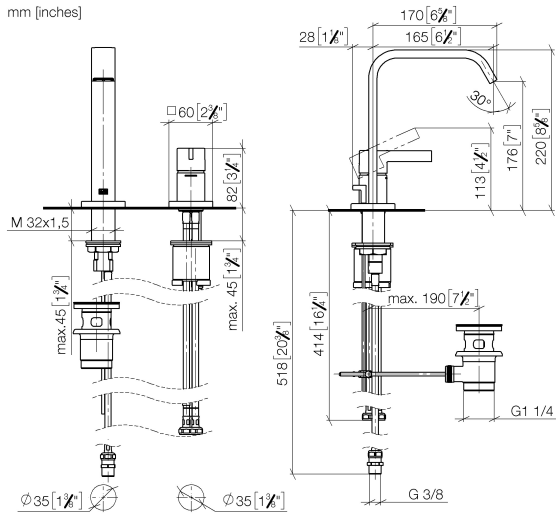


- 165mm projection
- fixed spout
- rectangular, air-enriched flow
- height of mixer 220 mm
- height up to aerator 176 mm
- hole diameter spout 35 mm
- hole diameter valve 35 mm
- 1x screw-in M 10 x 1 pressure hose, leak-tested
- 2x screw-in M 10 x 1 pressure hose, leak-tested
- max. flow 4.6 l/min
- lead-free
- This product can help a building meet the requirements of Green Building Rating Systems, e.g. LEED®, BREEAM®, DGNB

	Chrome	29 217 671-00
	Brushed Platinum	29 217 671-06
	Dark Chrome	29 217 671-19
	Brushed Light Gold	29 217 671-27
	Matte Black	29 217 671-33
	Brushed Chrome	29 217 671-93
	Brushed Dark Platinum	29 217 671-99

29 217 671

mm [inches]



Flow rate chart

